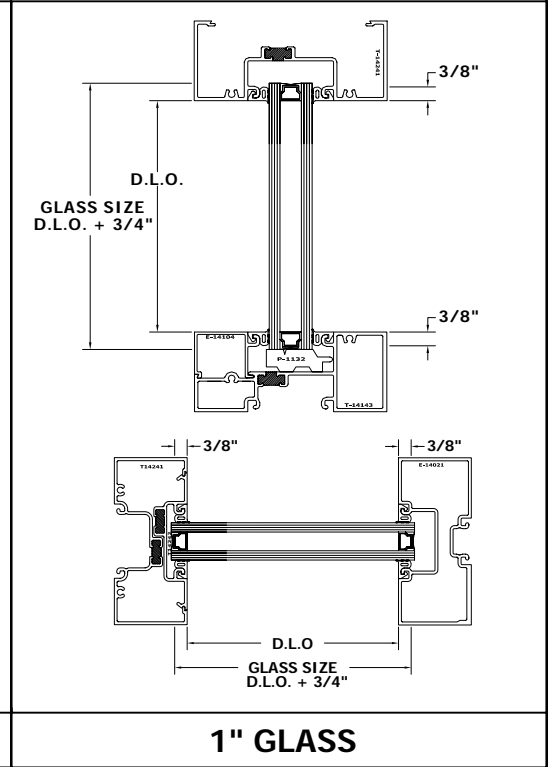
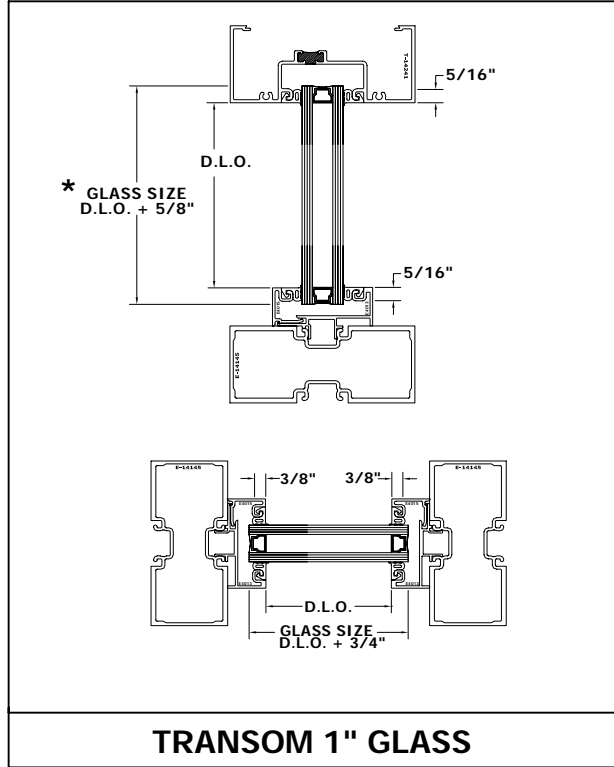


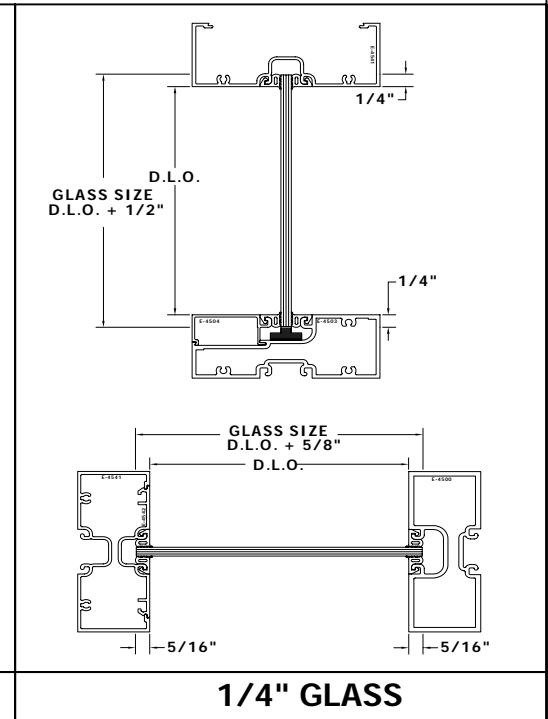
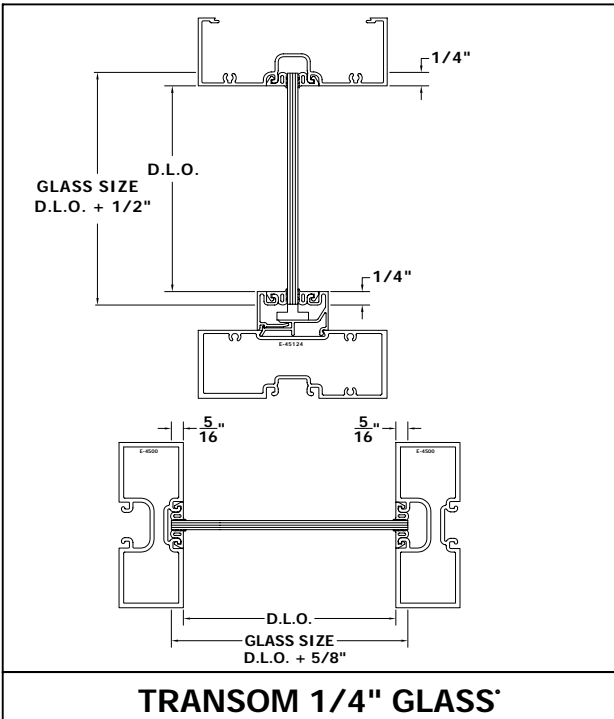
## STEP 1) FIGURING FRAME GLASS

### A.) T-14000 AND T-14650 SERIES FRAMING



**FORMULA:** *Vertical Glass Size = D.L.O. + 3/4"*  
**\*FORMULA:** *Vertical Transom Glass Size = D.L.O. + 5/8"*  
**FORMULA:** *Horizontal Glass Size = D.L.O. + 3/4"*

### B.) E4500 SERIES FRAMING



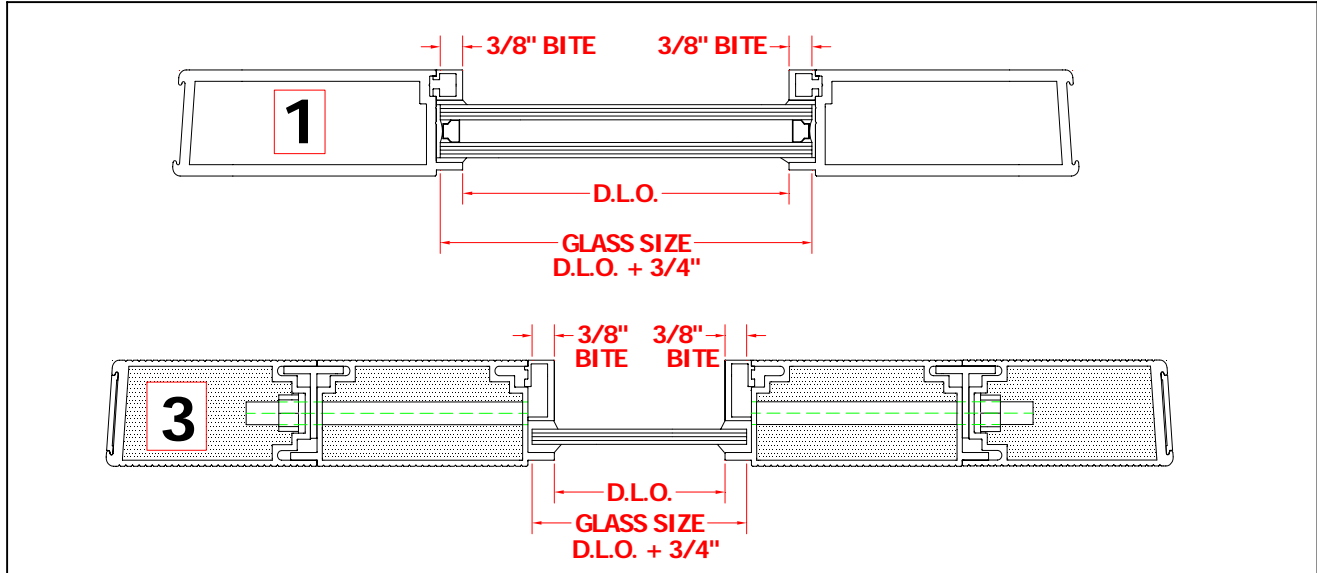
**FORMULA:** *Vertical Glass Size = D.L.O. + 1/2"*  
**FORMULA:** *Horizontal Glass Size = D.L.O. + 5/8"*

# DETERMINING GLASS SIZES

## STEP 2) FIGURING DOOR GLASS

A.) ALL DOOR SERIES - FL-400-SERIES, FL-800-SERIES, MS-400-SERIES, AND WS-500-HD-SERIES

GLASS WIDTH - **FORMULA:**  $GLASS\ WIDTH = D.L.O. + 3/4"$



GLASS HEIGHT -

**FORMULA:**  $GLASS\ HEIGHT = D.L.O. + 3/4"$

