

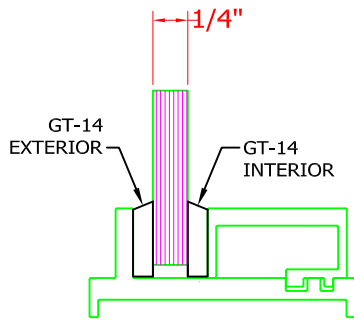
DOOR GLAZING GUIDE

GT-14  COMES IN 50FT ROLLS (STANDARD) - THICKER TAPE

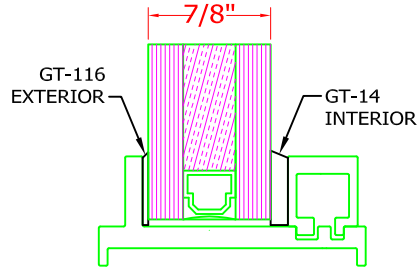
GT-116  COMES IN 200 FT ROLLS (STANDARD) - THINNER TAPE



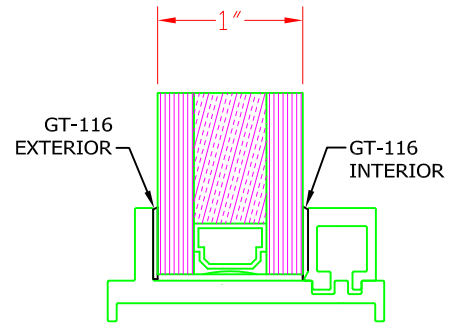
STANDARD



STANDARD



STANDARD



For additional glazing infill requirements, check out the door glazing guide inside our installation guide. Guide available online at www.crossaluminum.com.

GUIDE TO ADDITIONAL WEATHERING FOR HARDWARE ON PAIR DOORS

CAUTION: APPLICATION IN COLD WEATHER MAY PREVENT A GOOD ADHESIVE BOND.

APPLY ADHESIVE BACKED WEATHERSTRIPS ON BOTH SIDES. THEY NEED TO RUN 1/4" TO 1/2" BEYOND LOCK FACEPLATES ENDS.

STANDARD LOCKSET

STANDARD FLUSHBOLT

1/4" TO 1/2"
BEYOND FACEPLATE

1/4" TO 1/2"
BEYOND FACEPLATE

